

SOFT SEAT BLOCK AND BLEED VALVES

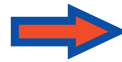
3/16" Bore Soft Seat Block and Bleed Valve

The soft seat block and bleed valve can be used with pressure gauges, pressure transmitters and pressure switches. The valve is built using bar stock construction, robust stems, and bonnets pinned for security. The BB6S features two block and bleed valves with one 1/4" FPNT vent/calibration port. Phoenix offers the roddable BB6S valve in a variety of materials and inlet/outlet configuration that meet most application requirements. The soft seat design ensures a bubble-tight seal.

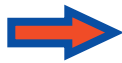


Standard Features

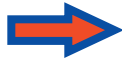
Hydrotested at 150% of rated pressure (shell test). Nitrogen gas tested to 2000 psi.



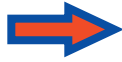
Seat tightness (zero leakage) verified to 110% of rated pressure. Nitrogen gas tested to 2000 psi.



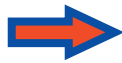
Packing below stem threads



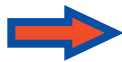
Metal body-to-bonnet seals are in compression, not tension



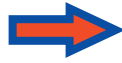
Stem threads are rolled, not cut



8 RMS stem finish



V-Style Teflon™ packing



Pressure component materials sourced from the US, Canada or Europe



Benefits

Complies with ASME B31.1 & B31.3 shell testing procedures as standard. Ensures structural integrity of valve.

Complies with ASME B31.1 & B31.3 seat testing procedures as standard. Ensures zero leakage at seats for proper calibration.

Prevents corrosion of critical stem threads

Mitigates risk of stress cracking

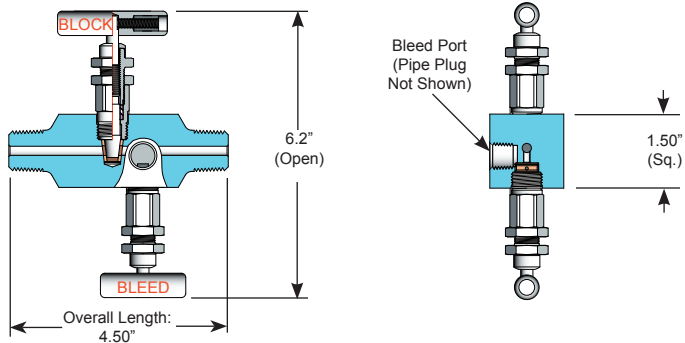
Higher quality stem for longer service life

Extended packing life

30-40% less operational torque and less frequent packing adjustments than traditional Teflon™ packed valves

Reliable material traceability. MTR's provided with every order for pressure containing components.

Male x Male Configuration

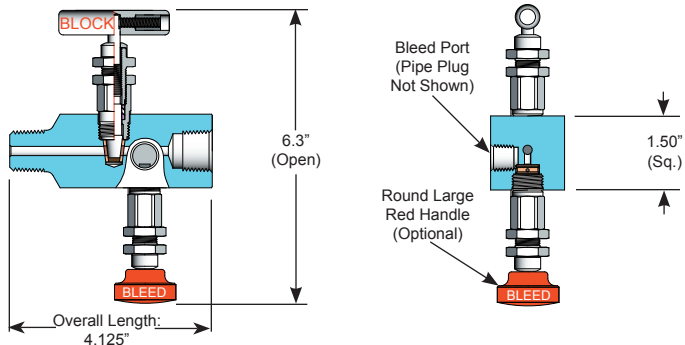


Specifications:

Type: P3BB6S Valve, Male x Male, Roddable Pattern
 Rating: Up to 6000 psi @ 100°F
 (41370 kPa @ 38°C)
 Stem: Tapered tip and Flat tip
 Packing: Aflas™ or Viton™ O-ring or Teflon™
 Seat: Delrin™ or Peek™
 Handle: Removable
 Bore Size: 3/16", 1/8" for Bleed
 Inlet Connections: 1/2" NPT to 3/4" NPT, or FT (1" for Male NPT Only)
 Outlet Connections: Same as inlet
 Bleed Port: 1/4" FNPT (includes 1/4" Pipe Plug)
 Bonnet Lock: Pin or Plate
 Body Stock: 1.50" sq
 Weight: 2.53 lbs
 Special Service: O₂ or CL cleaning available*

*Other specifications or services may be available

Male x Female Configuration

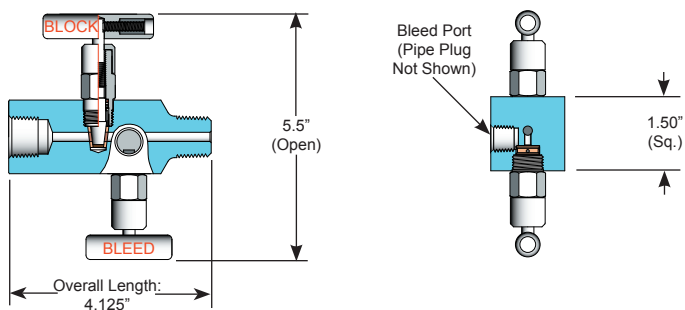


Specifications:

Type: P3BB6S Valve, Male x Female, Roddable Pattern
 Rating: Up to 6000 psi @ 100°F
 (41370 kPa @ 38°C)
 Stem: Tapered tip and Flat tip
 Packing: Aflas™ or Viton™ O-ring or Teflon™
 Seat: Delrin™ or Peek™
 Handle: Removable
 Bore Size: 3/16", 1/8" for Bleed
 Inlet Connections: 1/2" to 3/4" NPT, or FT (1" for Male NPT Only)
 Outlet Connections: Same as inlet
 Bleed Port: 1/4" FNPT (includes 1/4" Pipe Plug)
 Bonnet Lock: Pin or Plate
 Body Stock: 1.5" sq
 Weight: 2.45 lbs
 Special Service: O₂ or CL cleaning available*

*Other specifications or services may be available.

Female x Male Configuration

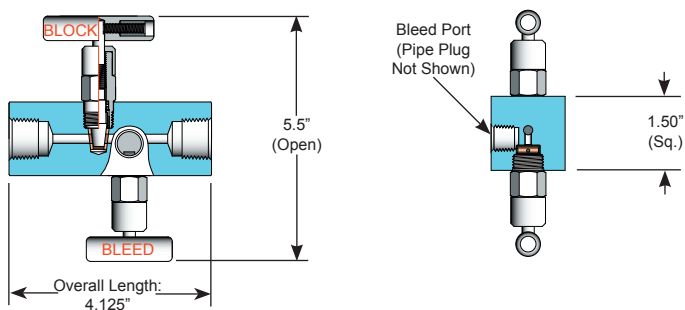


Specifications:

Type: P3BB6S Valve, Female x Male, Roddable Pattern
 Rating: Up to 6000 psi @ 100°F
 (41370 kPa @ 38°C)
 Stem: Tapered tip and Flat tip
 Packing: Aflas™ or Viton™ O-ring or Teflon™
 Seat: Delrin™ or Peek™
 Handle: Removable
 Bore Size: 3/16", 1/8" for Bleed
 Inlet Connections: 1/2" to 3/4" NPT, or FT (1" for Male NPT Only)
 Outlet Connections: Same as inlet
 Bleed Port: 1/4" FNPT (includes 1/4" Pipe Plug)
 Bonnet Lock: Pin or Plate
 Body Stock: 1.5" sq
 Weight: 2.43 lbs
 Special Service: O₂ or CL cleaning available*

*Other specifications or services may be available.

Female x Female Configuration



Specifications:

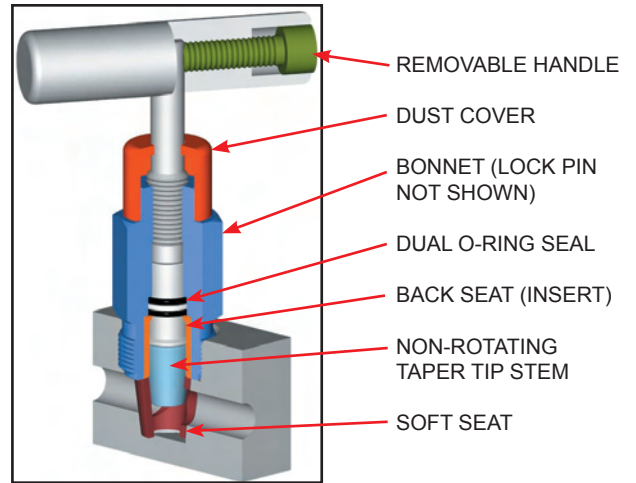
Type: P3BB6S Valve, Female x Female, Roddable Pattern
 Rating: Up to 6000 psi @ 100°F
 (41370 kPa @ 38°C)
 Stem: Tapered tip and Flat tip
 Packing: Aflas™ or Viton™ O-ring or Teflon™
 Seat: Delrin™ or Peek™
 Handle: Removable
 Bore Size: 3/16", 1/8" for Bleed
 Inlet Connections: 1/2" to 3/4" NPT, or FT (1" for Male NPT Only)
 Outlet Connections: Same as inlet
 Bleed Port: 1/4" FNPT (includes 1/4" Pipe Plug)
 Bonnet Lock: Pin or Plate
 Body Stock: 1.5" sq
 Weight: 2.50 lbs
 Special Service: O₂ or CL cleaning available*

*Other specifications or services may be available.



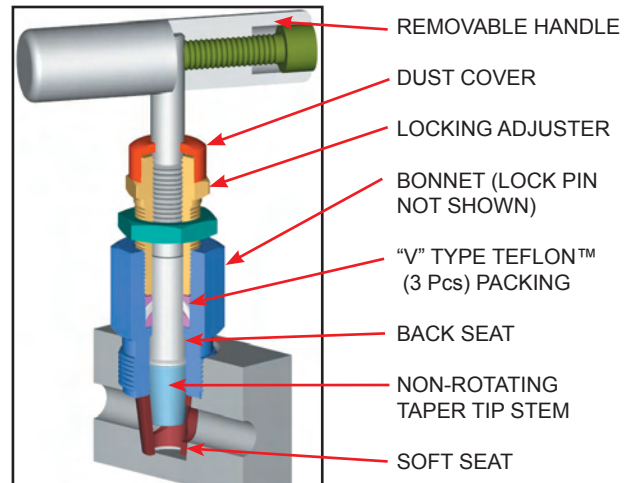
O-Ring Bonnet Assembly

Standard Materials					
Valve	Body	Bonnet	Stem	Seat	Packing
CS	ASTM A108CS	ASTM A108CS	ASTM A582 303SS	Delrin™ or Peek™	Dual Viton™ O-ring with Teflon™ backup ring
SC	ASTM A105CS	ASTM A182 316SS	ASTM A182 316SS		
316SS	ASTM A182 316SS	ASTM A182 316SS	ASTM A182 316SS		

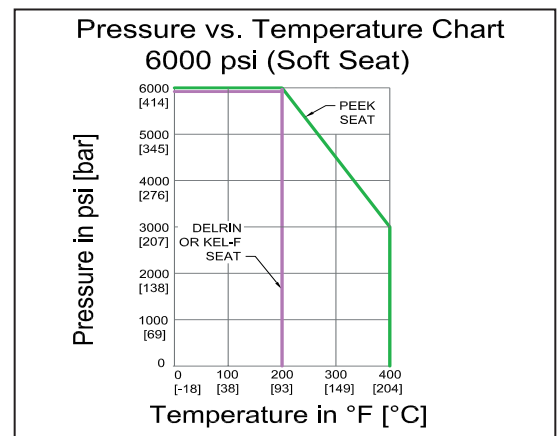
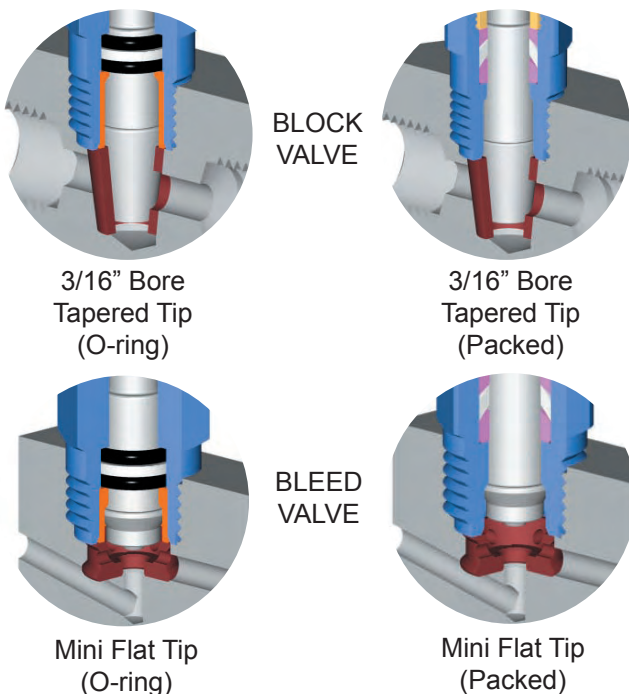


Packed Bonnet Assembly

Standard Materials					
Valve	Body	Bonnet	Stem	Seat	Packing
CS	ASTM A108CS	ASTM A108CS	ASTM A582 303SS	Delrin™ or Peek™	Teflon™
SC	ASTM A105CS	ASTM A182 316SS	ASTM A182 316SS		
316SS	ASTM A182 316SS	ASTM A182 316SS	ASTM A182 316SS		



Stem and Seat Configurations



Note: Body material specifications based on ASME B16.34 - 2009. Packing material ratings based on manufacturer's specifications. Approximations only. Phoenix does not represent these values as finite. They are provided only as representative values.

Phoenix	Orifice Size	Type	Inlet Size	Inlet Type	Outlet Size	Outlet Type	Material	Packing	Seat	Stem Tip
P	3=3/16"	BB6S (3/16" Bore)	8=1/2"	F=FNPT	8=1/2"	F=FNPT	SS=ASTM A182 316/316L	A=Aflas™	D=Delrin™	Tapered and Flat Tip Standard (leave blank)
			12=3/4"	M=MNPT	12=3/4"	M=MNPT	SC=ASTM A105 CS*	V=Viton™ (FKM)	P=Peek™	
			16=1" (Male Only)	FT=Female Tube Fitting	16=1" (Male Only)	FT=Female Tube Fitting	CS=ASTM A108 CS*	T=Teflon™ (PTFE)		
							C5=ASTM A350 LF2			
							N4=Monel™ 400			
							N6=Inconel™ 625			
							N8=Inconel™ 825			
							N2=Hastelloy™ C276			
EXAMPLE: P3BB6S8M8FSSVD = Phoenix, 3/16" Orifice, Block & Bleed Valve, 1/2" MNPT Inlet, 1/2" FNPT Outlet, 316 SS Body, Viton™ O-ring Packing, Delrin™ Seat, Tapered and Flat Tip Stems										
P	3	BB6S	8	M	8	F	SS	V	D	
*For code applications, A108 CS is unacceptable, A105 CS must be selected for CS valves.										

Option Codes	Description
LB	Bonnet Lock
CC	Chlorine Clean
OC	Oxygen Clean
TG	SS Tag
SGI	Sour Gas ISO NACE Latest Rev.
RLR	Round Large Red Aluminum Handle for Bleed (Vent)
RC	Round Handle C.S.
RS	Round Handle S.S.
N4	Monel™ 400 Stem
N5	Monel™ 500 Stem
N6	Inconel™ 625 Stem
N8	Inconel™ 825 Stem
N2	Hastelloy™ C276 Stem

Use with Confidence, Phoenix Precision Products Meet the Following Specifications:

- ✓ ASME B31.1 Power Piping
- ✓ ASME B31.3 Process Piping
- ✓ ASME B16.34 Valves - Flanged, Thread, and Welding End
- ✓ API 598 Valve Inspection and Testing
- ✓ MSS SP-25 Standard Marking Systems for Valves, Fittings and Flange Unions
- ✓ MSS SP-99 Instrument Valves
- ✓ MSS SP-105 Instrument Valves for Code Applications
- ✓ NACE MR0175 for all 316SS valves and A105CS body/ 316SS bonnet (SC Material Code)

Seal and Seat Material Temperature Rating

Code	Description	MIN. TEMP	MAX. TEMP
A	Aflas™	15°F (-10°C)	400°F (204°C)
V	Viton™	-20°F (-29°C)	400°F (204°C)
T	Teflon™	-65°F (-54°C)	450°F (232°C)
D	Delrin™	-40°F (-40°C)	200°F (93°C)
P	Peek™	-40°F (-40°C)	400°F (204°C)

For further information please contact:



Phoenix Precision Ltd.
2620 21st Street N.E.
Calgary, Alberta T2E 7L3
Phone:(403) 291-3154
Fax: (403) 291-3292
email: phoenix@phoenixprecision.ca
www.phoenixprecisionvalves.com

Distributor / Representative:

Phoenix Precision Ltd. (PPL) provides the information herein in good faith but makes no representation as to its comprehensiveness or accuracy. The information contained herein is intended only as a guide to PPL products and services. Individuals using information must exercise independent judgment in evaluating product selection and determining product appropriateness for their particular purpose and system requirements. PPL MAKES NO REPRESENTATIONS OR WARRANTIES, EITHER EXPRESS OR IMPLIED, INCLUDING WITHOUT LIMITATION ANY WARRANTIES OF MERCHANTABILITY OR FITNESS FOR A PARTICULAR PURPOSE WITH RESPECT TO THE INFORMATION SET FORTH HEREIN OR THE PRODUCT(S) TO WHICH THE INFORMATION REFERS. ACCORDINGLY, PPL WILL NOT BE RESPONSIBLE FOR DAMAGES (OF ANY KIND OR NATURE, INCLUDING INCIDENTAL, INDIRECT, OR CONSEQUENTIAL DAMAGES) RESULTING FROM THE USE OF OR RELIANCE UPON THIS INFORMATION. Patents and Patents Pending in the U.S. and foreign countries. PPL reserves the right to change product designs and specifications without notice.

DELTRIN, TEFLON, VITON and TEFLON are registered trademarks (hereinafter referred to as TM) of E.I. Du Pont de Nemours and Company Corporation. PEEK is a registered TM of Whitford Worldwide Company and Whitford B.V. KEL-F is a registered TM of M.W. Kellogg Company. GRAFOIL is a registered TM of High Temperature Materials Inc. and Graftech INC. Corporation. AFLAS is a registered TM of Asahi Glass Co. Ltd. Corporation Japan. MONEL and INCONEL are registered TMs of Huntington Alloys Corporation. HASTELLOY is a registered TM of Haynes International, Inc.

© 2010 by Phoenix Precision Ltd. All rights reserved. Material in this brochure or catalogue may not be reproduced in whole or in part, in any form, without written permission from the publisher.