

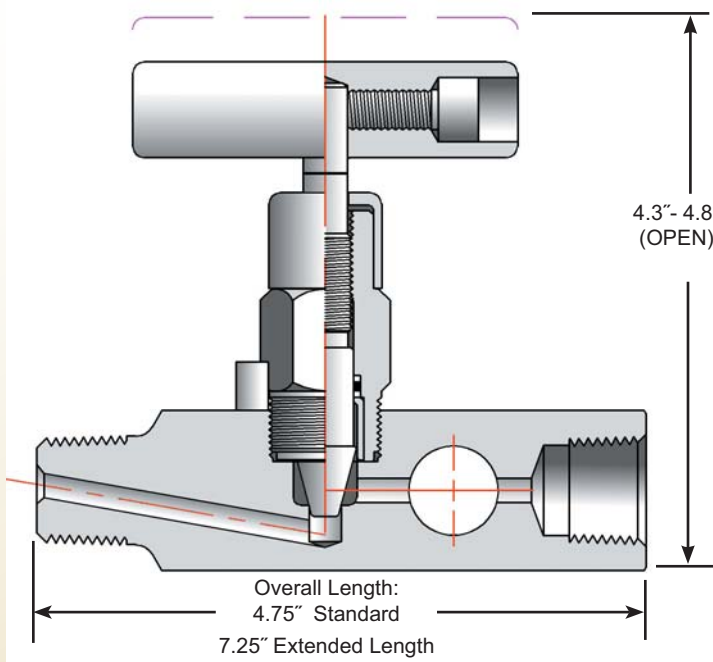
G10H™ SERIES

Rugged Globe Pattern Gauge Valve

Phoenix Precision standard gauge valves are an excellent choice for high temperature or severe service. Rated up to 10,000 psi, these valves offer many advantages such as pinned bonnets, precise packing detail and an easy to operate handle. Options include lock down bonnets, panel mounting, and a full range of end connections. Contact Phoenix for a complete list of options to best meet customer requirements.



TYPE	CONNECTION	INLET	OUTLET*	MATERIAL	PACKING	STEM TIP	***
PG10H	4 = 1/4"	M = Male NPT	F = Female NPT	SS = ASTM A182 Gr 316/316L	T = PTFE	Needle tip Standard (Leave Blank)	
PG10HD†	6 = 3/8"	F = Female NPT	M = Male NPT	SC = ASTM A105	G = Grafoil™**	B = Ball tip	
PG10HL (7.25" length)	8 = 1/2"	MS = Male Socketweld	MS = Male Socketweld	CS = ASTM A108		NR = Non-Rotating	
PGL10HD† (7.25" length)	12 = 3/4"	FS = Female Socketweld	FS = Female Socketweld				
	16 = 1"	FS = Female					
EXAMPLE: PG10H8MFCSV = 1/2" MNPT inlet, 1/2" FNPT outlet, A108 CS, PTFE Packing, Needle-tip stem							
PG10H	8	M	F	CS	V		***
* If inlet and outlet are different, outlet connection must also be specified before outlet type (eg: - 12M8F for 3/4" male x 1/2" female).							
** Grafoil rated at 6,000 psi only							
*** FOR SPECIAL DESIGNATION - SEE PHOENIX FOR DETAILS							
† "HD" stands for Heavy Duty. Meets additional specifications. See Phoenix for details.							



Specifications:

Type: Standard Gauge Valve, Globe Pattern
 Rating: Max. 10000 psi @ 100°F (68950 kPa @ 38°C)*
 Stem: Needle tip, Ball tip, or Non-rotating
 Packing: O-Ring or Adjustable
 Seat: Metal
 Handle: Removable
 Bore Size: 3/16"
 Inlet Connection: 3/8" to 1" NPT or SW
 Outlet Connection: 1/2"
 Gauge Ports: 1/2" FNPT
 Bonnet Lock: Pin or Bracket
 Body Stock: 1.25" sq to 1.75" sq
 Weight: 2.1 - 4.0 lbs (Stand) 3.0 - 5.8 lbs (Ext)
 Special Service: H₂S or O₂ available**

* Grafoil rated to 6000 psi

** Other specifications or services may be available. Please contact Phoenix for your specific requirements.