

G6M™ SERIES

Mini-bonnet Gauge Valves

Phoenix Precision mini-bonnet gauge valves are an economical alternative when a large bore size is not required for gauges and instrumentation. These are multi-port valves with are available in either o-ring or packed bonnets. Rated up to 6,000 psi, these valves offer advantages such as pinned bonnets, replaceable packing and an easy to operate handle. Options include lock down bonnets, panel mounting, and a full range of end connections. Contact Phoenix Precision for a complete list of options to best meet customer requirements.



| TYPE | CONNECTION | INLET | OUTLET** | MATERIAL | PACKING | SEAT | STEM TIP | *** |
|--------|------------|---------------------------|---------------------------|-------------------------------|--------------|------------------------|--------------------------|-----|
| PG6M | 4 = 1/4" | M = Male NPT | F = Female NPT | SS = ASTM A182 Gr 316/316L | T = PTFE | Integral (Standard) | Needle tip (Standard) | |
| PGL6M* | 6 = 3/8" | F = Female NPT | M = Male NPT | SC = ASTM A105 | G = Grafoil™ | P = Peek™ | B = Ball tip | |
| | 8 = 1/2" | MS = Male Socketweld | MS = Male Socketweld | CS = ASTM A108 | | D = Delrin™ | NR = Non- Rotating | |
| | | FS = Female Socketweld | FS = Female Socketweld | | | | | |

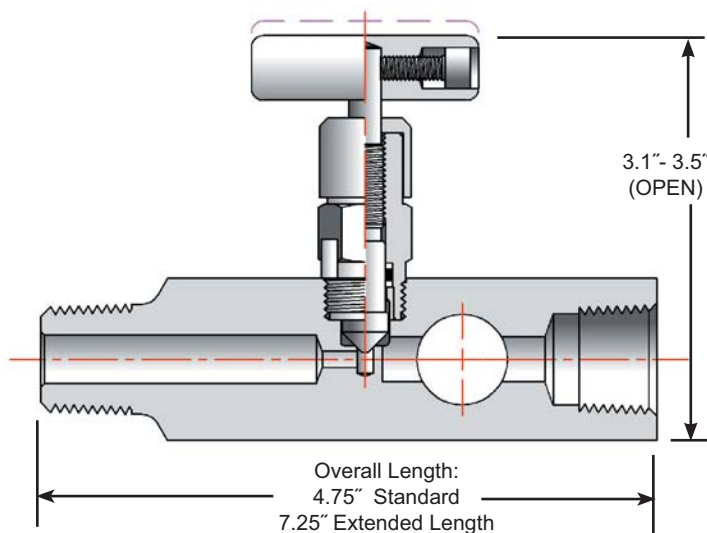
EXAMPLE: PG6M4MFCST = 1/4" MNPT inlet, 1/4" FNPT outlet, A108 CS, PTFE Packing, Needle-tip stem

| | | | | | | | | |
|-------------|----------|----------|----------|-----------|----------|--|----------|------------|
| PG6M | 4 | M | F | CS | T | | - | *** |
|-------------|----------|----------|----------|-----------|----------|--|----------|------------|

* Extended 7.25" body length

** If inlet and outlet are different, outlet connection must also be specified before outlet type (eg: - 4M8F for 1/4" male x 1/2" female).

*** FOR SPECIAL DESIGNATION - SEE PHOENIX FOR DETAILS



Specifications:

Type: Mini-bonnet Gauge valve, Globe Pattern
 Rating: Max. 6000 psi @ 100°F (41370 kPa @ 38°C)
 Stem: Needle or Ball tip
 Packing: O-ring or Adjustable
 Seat: Metal
 Handle: Removable
 Bore Size: 1/8"
 Inlet Connection: 3/8" to 3/4" NPT or SW
 Outlet Connection: 1/2" NPT or SW
 Gauge Ports: 1/2" FNPT
 Bonnet Lock: Pin or Bracket
 Body Stock: 1.125" sq
 Weight: 1.6 - 1.8 lbs (Stand) 2.4 - 2.6 lbs (Ext)
 Special Service: H₂S or O₂ available*

* Other specifications or services may be available.