

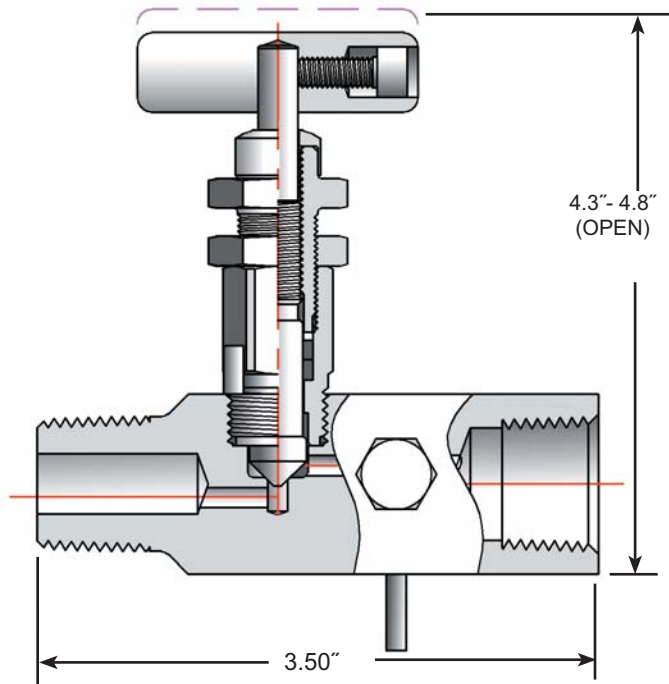
B6M™ SERIES

Block Valve with Integral Bleed

Phoenix Precision integral bleed valves are an economical and efficient alternative when a threaded bleed port is not required. These valves offer many advantages such as pinned bonnets, precise packing detail and an easy to operate handle. Options include lock down bonnets, panel mounting, and a full range of end connections. Contact Phoenix for a complete list of options to best meet customer requirements.



TYPE	CONNECTION	INLET	OUTLET*	MATERIAL	PACKING	STEM TIP	**
PB6M	4 = 1/4"	M = Male NPT	F = Female NPT	SS = ASTM A182 Gr 316/316L	T = PTFE	Needle tip Standard (Leave Blank)	
	6 = 3/8"	F = Female NPT	M = Male NPT	SC = ASTM A105	G = Grafoil™*	B = Ball tip	
	8 = 1/2"	MS = Male Socketweld	MS = Male Socketweld	CS = ASTM A108		NR = Non-Rotating	
	12 = 3/4"	FS = Female Socketweld	FS = Female Socketweld				
EXAMPLE: PB6M8MFCSV = 1/2" MNPT inlet, 1/2" FNPT outlet, A108 CS, PTFE Packing, Needle-tip stem							
PB6M	8	M	F	CS	V		**
* If inlet and outlet are different, outlet connection must also be specified before outlet type (eg: - 12M8F for 3/4" male x 1/2" female). ** FOR SPECIAL DESIGNATION - SEE PHOENIX FOR DETAILS							



B6M™ Series Mini Block Valve with Integral Bleed

Specifications:

Type: Block and Bleed, Globe Pattern
 Rating: Max. 6000 psi @ 100°F (41370 kPa @ 38°C)
 Stem: Needle tip or Ball tip
 Packing: O-Ring or Adjustable
 Seat: Metal
 Handle: Removable
 Bore Size: 1/8"
 Inlet Connection: 3/8" to 3/4" NPT or SW
 Outlet Connection: 1/2"
 Gauge Ports: 1/2" FNPT
 Bonnet Lock: Pin or Bracket
 Body Stock: 1.125" sq
 Weight: 0.9 - 1.6 lbs
 Special Service: H₂S or O₂ available*

* Other specifications or services may be available. Please contact Phoenix for your specific requirements.