

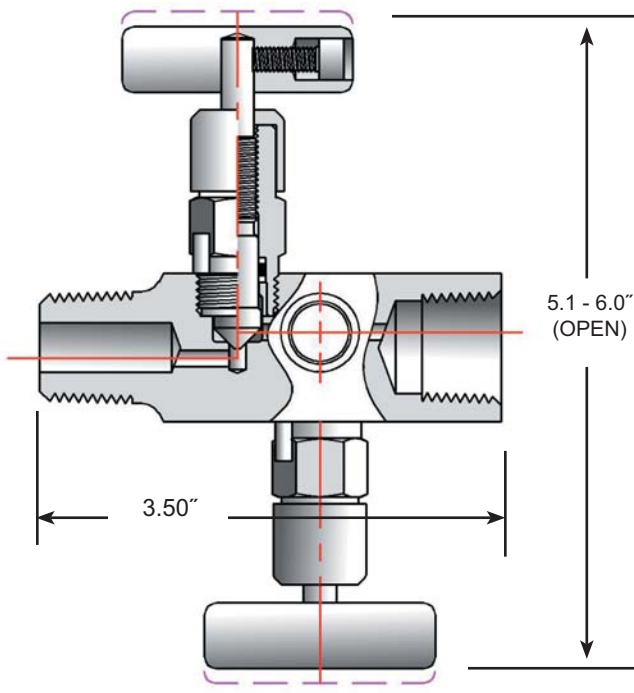
BB6M™ SERIES

Economical Block and Bleed Valve

Phoenix Precision mini block and bleed valves offer precise bonnet control for both the block and bleed components. The bleed port can be fitted with standard 1/4" npt connectors. Rated up to 6,000 psi, these valves offer many options include lock down bonnets, panel mounting, and a full range of end connections. Contact Phoenix for a complete list of options to best meet customer requirements.



TYPE	CONNECTION	INLET	OUTLET*	MATERIAL	PACKING	STEM TIP	***
PBB6M	4 = 1/4"	M = Male NPT	F = Female NPT	SS = ASTM A182 Gr 316/316L	T = PTFE	Needle tip Standard (Leave Blank)	
	6 = 3/8"	F = Female NPT	M = Male NPT	SC = ASTM A105	G = Grafoil™**	B = Ball tip	
	8 = 1/2"	MS = Male Socketweld	MS = Male Socketweld	CS = ASTM A108		NR = Non-Rotating	
	12 = 3/4"	FS = Female Socketweld	FS = Female Socketweld				
EXAMPLE: PBB6M8MFCSV = 1/2" MNPT inlet, 1/2" FNPT outlet, A108 CS, PTFE Packing, Needle-tip stem							
PBB6M	8	M	F	CS	V		***
* If inlet and outlet are different, outlet connection must also be specified before outlet type (eg: - 12M8F for 3/4" male x 1/2" female). ** Grafoil rated at 6,000 psi only *** FOR SPECIAL DESIGNATION - SEE PHOENIX FOR DETAILS							



BB6M™ Series Mini Block and Bleed

Specifications:

Type: Block and Bleed, Globe Pattern
 Rating: Max. 6000 psi @ 100°F (41370 kPa @ 38°C)
 Stem: Needle tip or Ball tip
 Packing: O-Ring or Adjustable
 Seat: Metal
 Handle: Removable
 Bore Size: 1/8"
 Inlet Connection: 3/8" to 3/4" NPT or SW
 Outlet Connection: 1/2"
 Gauge Ports: 1/2" FNPT
 Bonnet Lock: Pin or Bracket
 Body Stock: 1.125" sq
 Weight: 1.2 - 1.3 lbs
 Special Service: H₂S or O₂ available*

* Other specifications or services may be available. Please contact Phoenix for your specific requirements.