

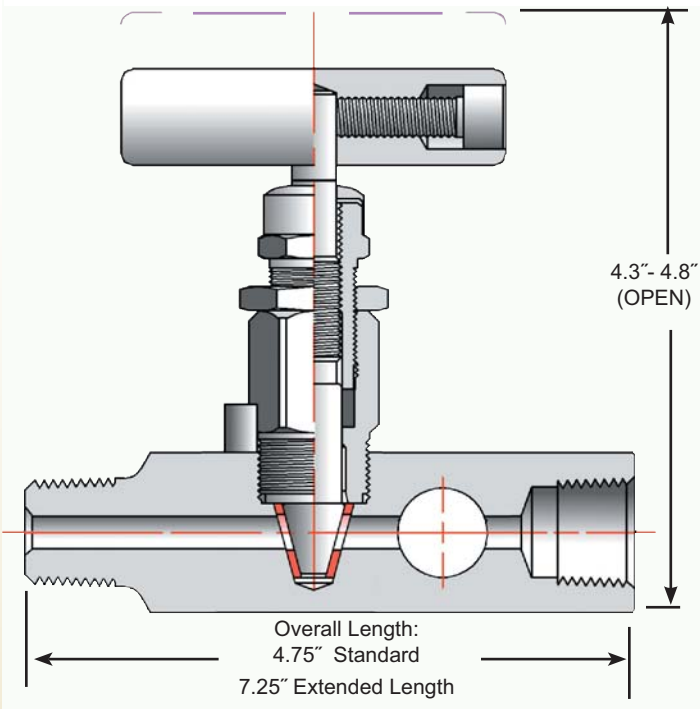
G6S™ SERIES

Roddable Soft Seat Gauge Valve

Phoenix Precision soft seated gauge valves provide maximum flow and minimal seat resistance for gas or fluid service. The flow path is fully roddable for purging and cleaning the lines. These valves also have bi-directional capability. The replacement of the seat is both easy and economical. Rated up to 6,000 psi, with features such as pinned bonnets, precise packing detail and an easy to operate handle. Options include lock down bonnets, panel mounting, and a full range of end connections. Contact Phoenix for a complete list of options to best meet customer requirements.



TYPE	CONNECTION	INLET	OUTLET*	MATERIAL	PACKING	SEAT	STEM TIP	***
PG6S	4 = 1/4"	M = Male NPT	F = Female NPT	SS = ASTM A182 Gr 316/316L	A = Aflas™	D = Delrin™	Needle tip Standard (Leave Blank)	
PGL6S†	6 = 3/8"	F = Female NPT	M = Male NPT	SC = ASTM A105	V = FKM**	P = Peek™	NR = Non-Rotating	
	8 = 1/2"	MS = Male Socketweld	MS = Male Socketweld	CS = ASTM A108	T = PTFE			
	12 = 3/4"	FS = Female Socketweld	FS = Female Socketweld					
	16 = 1"							
EXAMPLE: PG6S8MFCSVD = 1/2" MNPT inlet, 1/2" FNPT outlet, A108 CS, FKM Packing, Delrin™ Seat, Needle-tip stem								
PG6S	8	M	F	CS	V	D		***
* If inlet and outlet are different, outlet connection must also be specified before outlet type (eg: - 12M8F for 3/4" male x 1/2" female).								
** V1238-95 for 316SS and A105CS bodies. Standard FKM is for A108CS								
*** FOR SPECIAL DESIGNATION - SEE PHOENIX FOR DETAILS								
† Extended 7.25" body length								



Specifications:

Type: Standard Gauge Valve, Roddable
 Rating: Max. 6000 psi @ 100°F (41370 kPa @ 38°C)
 Stem: Needle tip or Non-rotating
 Packing; O-Ring or Adjustable
 Seat: Replacable Delrin or Peek
 Handle: Removable
 Bore Size: 1/4"
 Inlet Connection: 3/8" to 1" NPT or SW
 Outlet Connection: 1/2"
 Gauge Ports: 1/2" FNPT
 Bonnet Lock: Pin or Bracket
 Body Stock: 1.25" sq
 Weight: 2.1 - 2.2 lbs (Stand) 3.0 - 3.1 lbs (Ext)
 Special Service: H₂S or O₂ available*

* Other specifications or services may be available. Please contact Phoenix for your specific requirements.