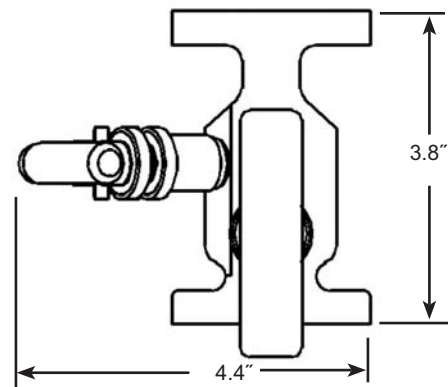
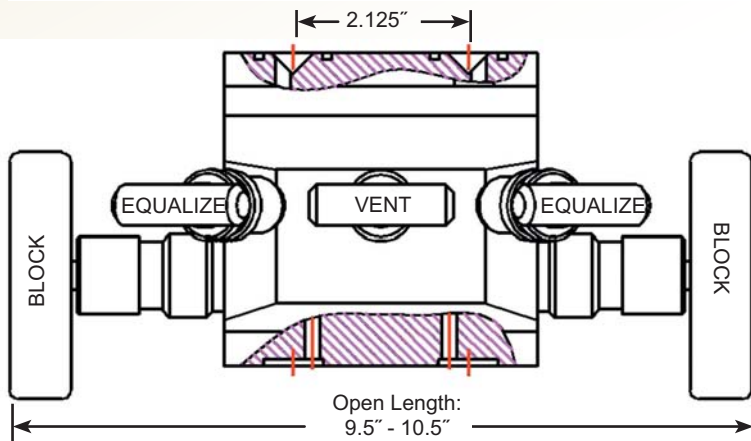


MFF5H™ and MFF5S™ SERIES 5-Valve Flange x Flange Manifolds

Phoenix Precision 5-valve Manifolds feature double 2 1/8" isolation flow, controlled venting, dual equalizing and purge ports in a single instrument. Used for direct mounting to differential transmitters, this manifold is a good choice for field calibration. The two shut-off valves make removal for servicing easy. Our valve pattern allows for ease of use in a small space. For applications when the optimum flow or roddability is required, the Phoenix series of replaceable soft seat valves are recommended. Mounting holes included. Mounting kit available.



TYPE	INLET	OUTLET	MATERIAL	PACKING	SEAT	STEM TIP	**
PM5	Flanged	Flanged	SS = ASTM A182 Gr 316/316L	A = Aflas™	Integral (Standard)	Needle tip Standard (Leave Blank)	MK = Mounting Kit
			SC = ASTM A105	V = FKM*	D = Delrin™***	B = Ball tip	
			CS = ASTM A108	T = PTFE	P = Peek™***	NR = Non-Rotating***	
				G = Grafoil™			
EXAMPLE: PM5FFCST = Flanged Inlet, Flanged Outlet, A108 CS, PTFE Packing, Needle-tip stem							
PM5	F	F	CS	T			**
* V1238-95 for 316SS and A105CS bodies. Standard FKM is for A108CS							
** FOR SPECIAL DESIGNATION - SEE PHOENIX SALES REPRESENTATIVE FOR DETAILS							
*** Options for isolation valves only							



Specifications:

Type: 5-Valve Manifold, Gas Pattern
 Rating: up to 6000 psi @ 100°F
 (41370 kPa @ 38°C)
 Stem: Needle tip or Ball tip
 Packing: FKM or Aflas™ O-ring,
 PTFE or Grafoil™ Packed
 Seat: Integral, Delrin™, Peek™
 Handle: Removable

Bore Size: 3/16" Main, 1/8" EQ & Vent
 Inlet Connections: Flange
 Outlet Connections: Flange
 Bonnet Lock: Pin or Bracket
 Body Stock: 4.6" x 3.8" x 2.4"
 Weight: 7.3 - 7.5 lbs
 Special Service: H₂S or O₂ available*

