

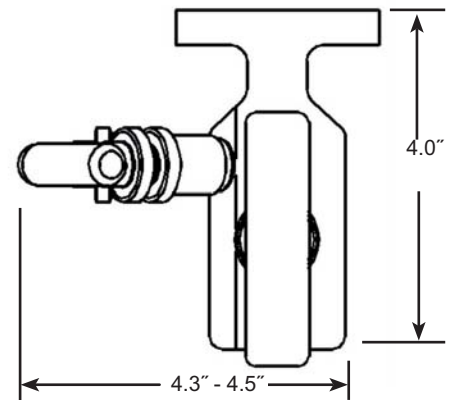
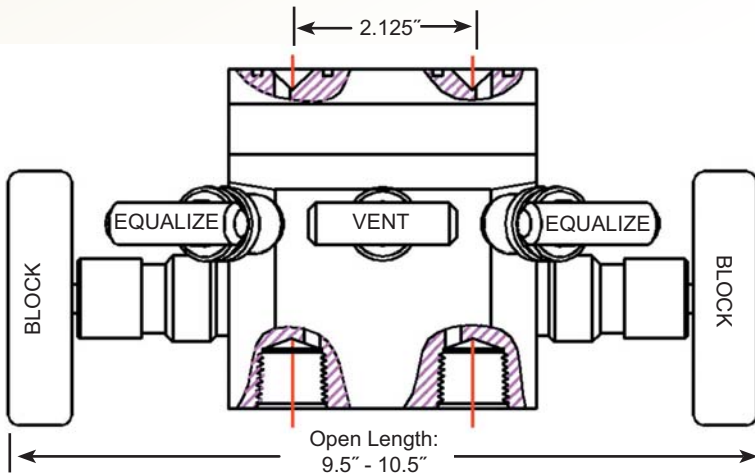
MPF5H™ and MPF5S™ SERIES

5-Valve Pipe x Flange Manifolds

Phoenix Precision Pipe to Flange Instrumentation Manifolds offer convenient control between piping and differential transmitters. They feature double 2 1/8" isolation flow, controlled venting, dual equalizing and purge ports. Our flow pattern combines easy access to controls in a minimum space. Rated up to 6,000 psi, these valves offer advantages such as pinned bonnets, precise packing detail and easy to operate handles. Mounting holes included. Mounting kit available.



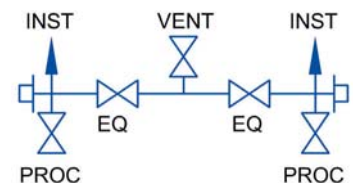
TYPE	FNPT SIZE	OUTLET	MATERIAL	PACKING	SEAT	STEM TIP	**
PM5PF	4 = 1/4"	Flanged	SS = ASTM A182 Gr 316/316L	A = Aflas™ O-ring	Integral (Standard)	Needle tip Standard (Leave Blank)	MK = Mounting Kit
	8 = 1/2"		SC = ASTM A105	V = KFM O-ring*	D = Delrin***	B = Ball tip	
			CS = ASTM A108	T = PTFE Packed	P = Peek***	NR = Non-Rotating***	
				G = Grafoil™ Packed			
EXAMPLE: PM5PF8FCSV = 1/2" FNPT inlet, Flanged Outlet, A108 CS, Teflon Packing, Needle-tip stem							
PM5PF	8	F	CS	V			**
* V1238-95 for 316SS and A105CS bodies. Standard FKM is for A108CS							
** FOR SPECIAL DESIGNATION - SEE PHOENIX SALES REPRESENTATIVE FOR DETAILS							
*** Options for isolation only							



Specifications:

Type: 5-Valve Manifold, Gas Pattern
 Rating: up to 6000 psi @ 100°F
 (41370 kPa @ 38°C)
 Stem: Needle tip or Ball tip
 Packing: FKM or Aflas™ O-ring,
 Teflon or Grafoil packed
 Seat: Integral, Peek™ or Delrin™
 Handle: Removable

Bore Size: 3/16" Main, 1/8" EQ & Vent
 Inlet Connections: FNPT or Tube
 Outlet Connections: Flange
 Bonnet Lock: Pin or Bracket
 Body Stock: 3.625" x 4.0" x 2.4"
 Weight: 7.4 - 7.6 lbs
 Special Service: H₂S or O₂ available*



* Other specifications or services may be available. Please contact Phoenix for your specific requirements.