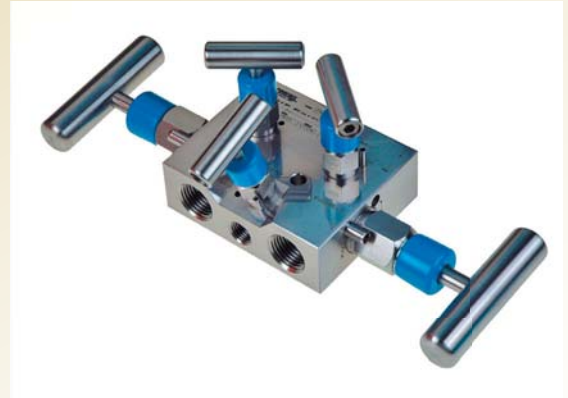


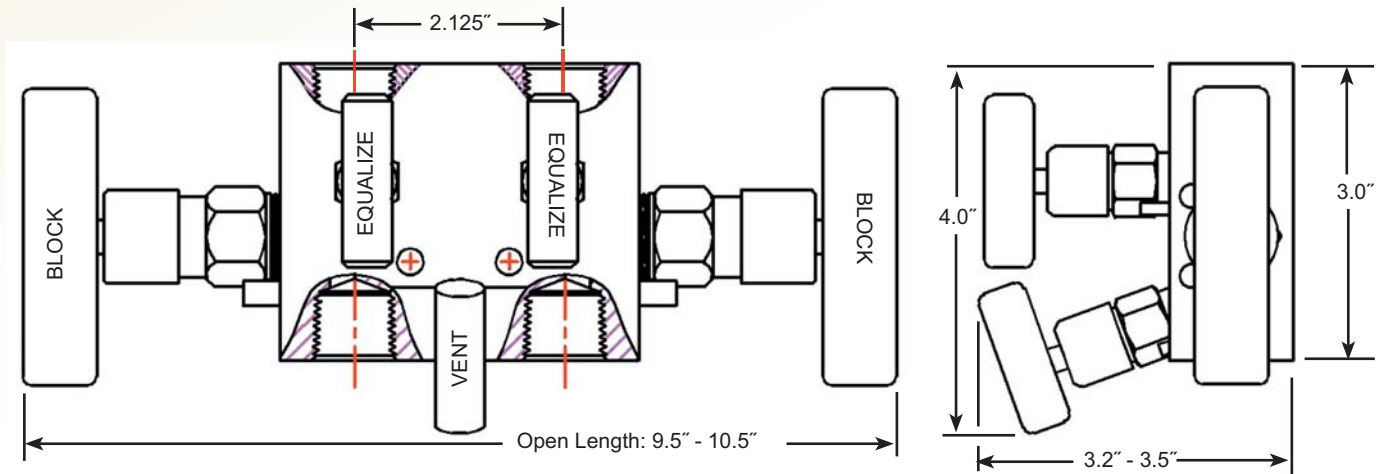
# M5H™ and M5S™ SERIES

## 5-Valve Pipe x Pipe Manifolds

**Phoenix Precision** offers versatile 5-valve gas pattern manifolds for 6,000 psi service. Ideally suited for metering, our bonnet layout and design assures easy access to controls with full size handles. Venting to the stem eliminates packing damage. Other features include pinned bonnets and precise packing detail. Options include lock-down bonnets and bottom venting. Contact Phoenix for a complete list of options to best meet customer requirements.



TYPE	CONNECTION	TYPE	MATERIAL	PACKING	SEAT	STEM TIP	**
PM5PP	4 = 1/4"	FF = Female x Female NPT	SS = ASTM A182 Gr 316/316L	A = Aflas™	Integral (Leave Blank)	Needle tip Standard (Leave Blank)	BV = Bottom Vent
	8 = 1/2"		SC = ASTM A105	V=FKM*	D = Delrin™***	B = Ball tip	
			CS = ASTM A108	T = PTFE	P = Peek™***		
				G = Grafoil™			
EXAMPLE: PM5PP8FFCSVDB = 1/2" FNPT inlet, 1/2" FNPT outlet, A108 CS, PTFE Packing, Ball-tip stem							
<b>PM5PP</b>	<b>8</b>	<b>FF</b>	<b>CS</b>	<b>V</b>	<b>D</b>	<b>B</b>	<b>**</b>
* V1238-95 for 316SS and A105CS bodies. Standard FKM is for A108CS							
** FOR SPECIAL DESIGNATION - SEE PHOENIX SALES REPRESENTATIVE FOR DETAILS							
*** Options for isolation only							



### Specifications:

Type: 5-Valve Manifold, Gas Pattern  
 Rating: up to 6000 psi @ 100°F  
 (41370 kPa @ 38°C)  
 Stem: Needle tip or Ball tip  
 Packing: FKM or Aflas™ O-ring,  
 PTFE or Grafoil™ Packed  
 Seat: Integral, Peek™ or Delrin™  
 Handle: Removable

Bore Size: 3/16" Main, 1/8" EQ & Vent  
 Inlet Connections: FNPT or Tube  
 Outlet Connections: FNPT or Tube  
 Bonnet Lock: Pin or Bracket  
 Body Stock: 3.625" x 3.0" x 1.25" thick  
 Weight: 4.9 - 5.1 lbs  
 Special Service: H<sub>2</sub>S or O<sub>2</sub> available\*

\* Other specifications or services may be available. Please contact Phoenix for your specific requirements.

